



Track-Dumper



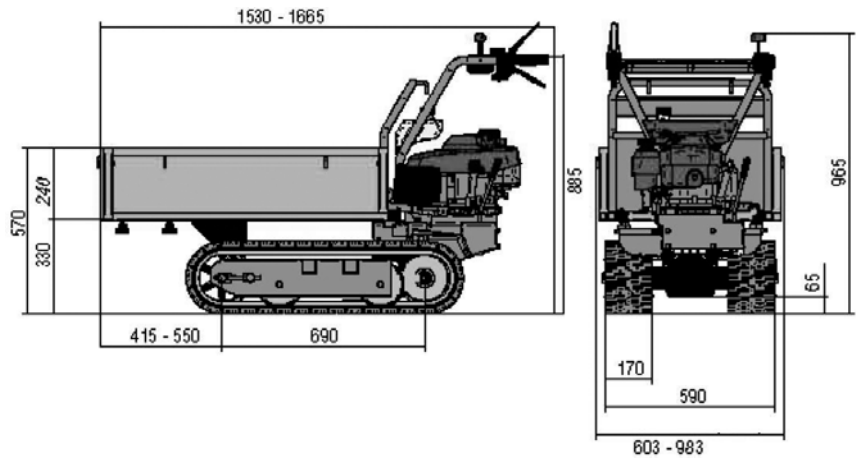
Snowblade

RC 270



Track-Dumper RC 270

Technical Data

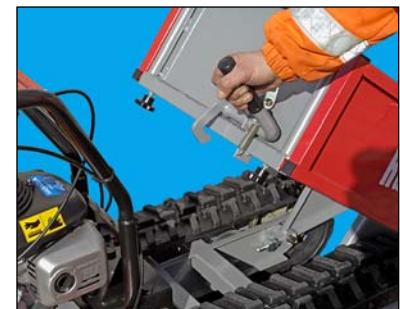


Engine	
Honda	GCV 135
Type	1 cyl. / 4-stroke
Displacement	135 cm ³
Engine output	3,3 kW (4,5 HP)
Revolution speed	3600/rpm
Starter	reversing starter
Air filter	dry cell
Fuel filter	gauze



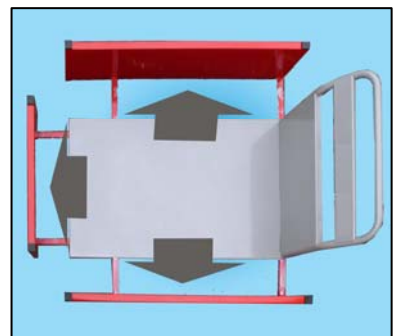
yellow = lever
red = throttle
black = steering brakes

Drive	toothed gearing
Brake	automatic safety brake
Guidance	steering brake
Load carrying beds adjustable	bed length adjustable 925-1060 mm bed width adjustable 603-983 mm load height 240 mm
Characteristic	The loading area can be increased by pulling out the load carrying beds Load carrying beds can be pull out complete



unlock and tip
mechanical by hand

Operational characteristics	
Weight	140 kg
Payload max.	270 kg
Tipping device	mechanical
Climbing ability	max. 26° (50%)
Working speed	1,60 Km/h 1st gear forward 3,60 Km/h 2nd gear forward 1,40 Km/h 1st gear reverse gear 3,40 Km/h 2nd gear reverse gear



Authorised dealer:



Baumaschinen GmbH

Niederhöchstädter Str. 71-73 D-61476 Kronberg
Tel.: 0049-(0)6173-68558 Fax: 0049-(0)6173-68548
E-Mail: info@powerpac.de Internet: www.powerpac.de