



Track-Dumper



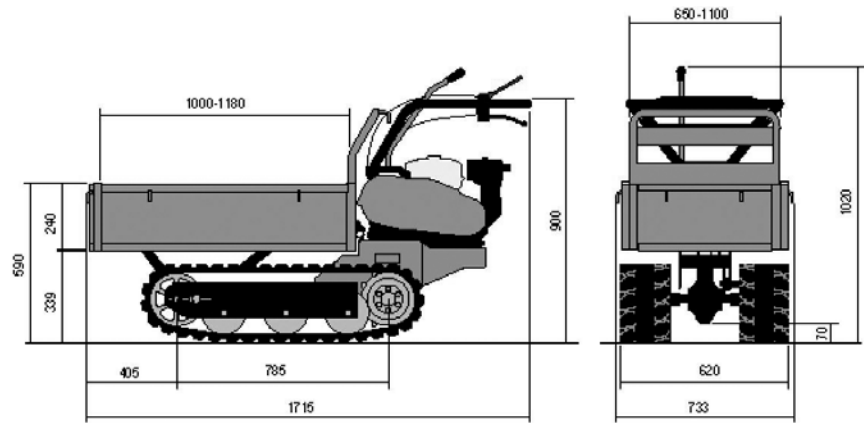
Snowblade

RC 350



Track-Dumper RC 350

Technical Data



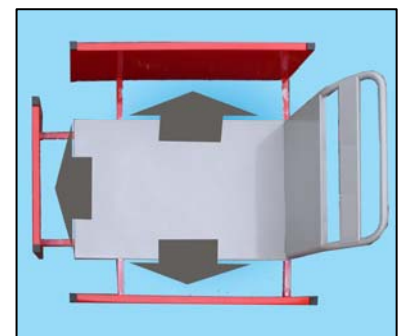
Engine	
Honda	GX 120
Type	1 cyl. / 4-stroke
Displacement	125 cm ³
Engine output	3,21 kW (4,5 HP)
Revolution speed	3600/rpm
Starter	reversing starter
Air filter	dry cell
Fuel filter	gauze



Drive	toothed gearing
Brake	automatic safety brake
Guidance	steering brake
Load carrying beds adjustable	bed length adjustable 1000-1180 mm bed width adjustable 650-1100 mm load height 240 mm
Characteristic	The loading area can be increased by pulling out the load carrying beds Load carrying beds can be pull out complete



Operational characteristics	
Weight	180 kg
Payload max.	350 kg
Tipping device	mechanical
Climbing ability	max. 26° (50%)
Working speed	1,55 Km/h 1st gear forward 3,41 Km/h 2nd gear forward 5,63 Km/h 3rd gear forward 1,51 Km/h reverse gear



Authorised dealer:



Baumaschinen GmbH

Niederhöchstädter Str. 71-73 D-61476 Kronberg
Tel.: 0049-(0)6173-68558 Fax: 0049-(0)6173-68548
E-Mail: info@powerpac.de Internet: www.powerpac.de