



# Track-Dumper



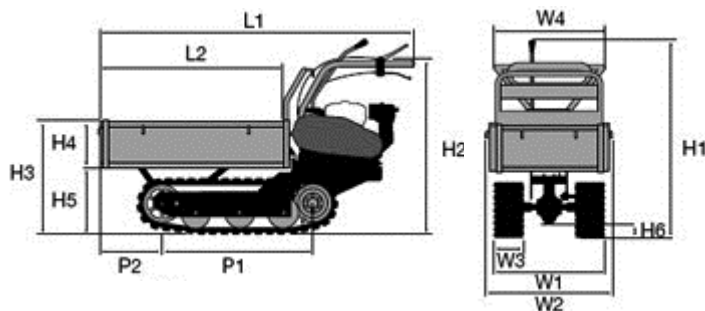
Snowblade

**RC 450**



# Track-Dumper RC 450

## Technical Data



mm

L1	1670
L2	925-1060
H1	1020
H2	900
H3	590
H4	240
H5	339
H6	70
W1	620
W2	643
W3	-
W4	560-940
P1	785
P2	330

<b>Engine</b>	
Honda	GX 160
Type	1 cyl. / 4-stroke
Displacement	125 cm <sup>3</sup>
Engine output	4,21 kW (5,5 HP)
Revolution speed	3600/rpm
Starter	reversing starter
Air filter	dry cell
Fuel filter	gauze



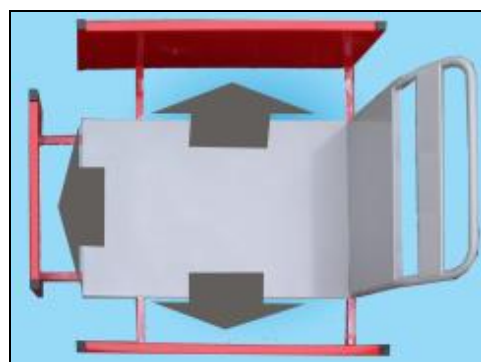
yellow = lever  
red = throttle  
silver = steering brakes

<b>Drive</b>	toothed gearing
<b>Brake</b>	automatic safety brake
<b>Guidance</b>	steering brake
<b>Load carrying beds adjustable</b>	bed length adjustable 1000-1180 mm bed width adjustable 650-1100 mm load height 240 mm
<b>Characteristic</b>	The loading area can be increased by pulling out the load carrying beds  Load carrying beds can be pull out complete



unlock and tip  
mechanical by hand

<b>Operational characteristics</b>	
Weight	180 kg
Payload max.	450 kg
Tipping device	mechanical
Climbing ability	max. 26° (50%)
Working speed	1,88 Km/h 1st gear forward 4,13 Km/h 2nd gear forward 7,00 Km/h 3rd gear forward 1,86 Km/h reverse gear



Authorised dealer:



**Baumaschinen GmbH**

Niederhöchstädter Str. 71-73 D-61476 Kronberg  
Tel.: 0049-(0)6173-68558 Fax: 0049-(0)6173-68548  
E-Mail: info@powerpac.de Internet: www.powerpac.de