



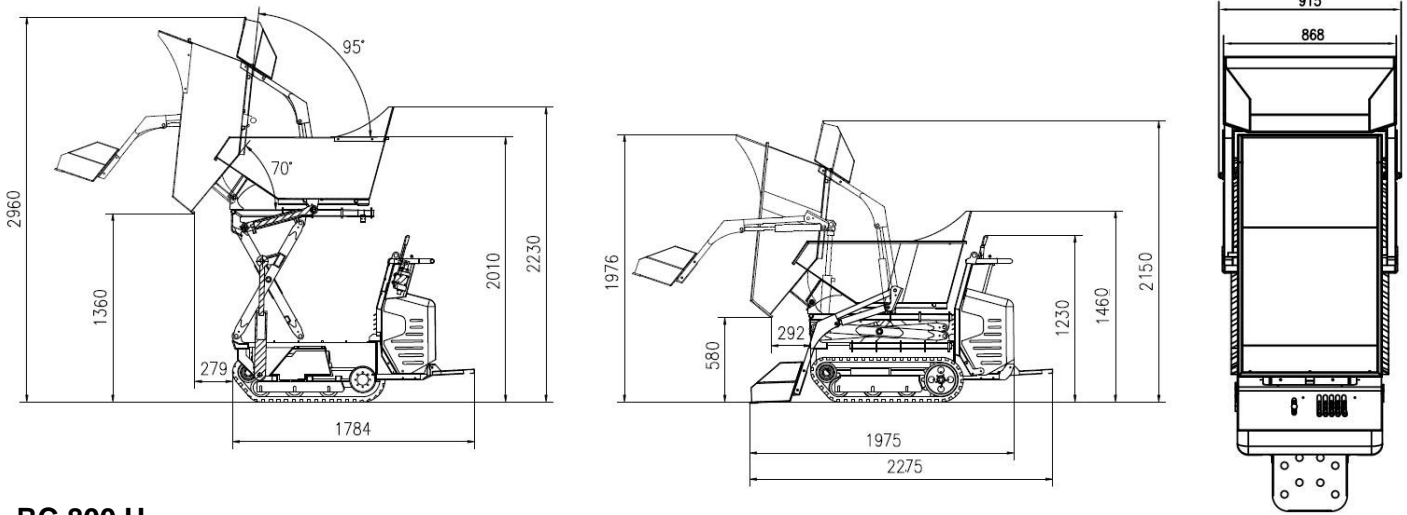
Track-Dumper

High Tipping



RC 800 H





RC 800 H Technical Data

Motor	
Honda	GX 390
Type	1 Zyl. / 4-stroke
Displacement	389 cm ³
Engine output	8,2 kW (11,0 HP)
Revolution speed	3600/rpm
Starter	reversing + electric starter
Air filter	dry cell
Fuel filter	gauze

Drive	hydrostatic
Guidance	hydraulic motor
Characteristic	hydraulic tipping device hydraulic self loader hydraulic high tipping electric start

operating data	
weight	560 kg
max. payload	800 kg
max. weight (loaded)	1360 kg
tipping device	hydraulic
climbing ability	max. 26° (50%)
working speed	0 – 5 km/h
oil pressure	175 bar
flow rate oil pump	28.8 ltr./min.



Baumaschinen GmbH

Niederhöchstädter Str. 71-73 D-61476 Kronberg
Tel.: 0049-(0)6173-68558 Fax: 0049-(0)6173-68548
E-Mail: info@powerpac.de Internet: www.powerpac.de