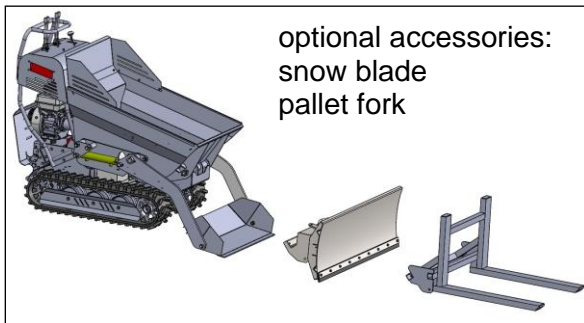




Track-Dumper



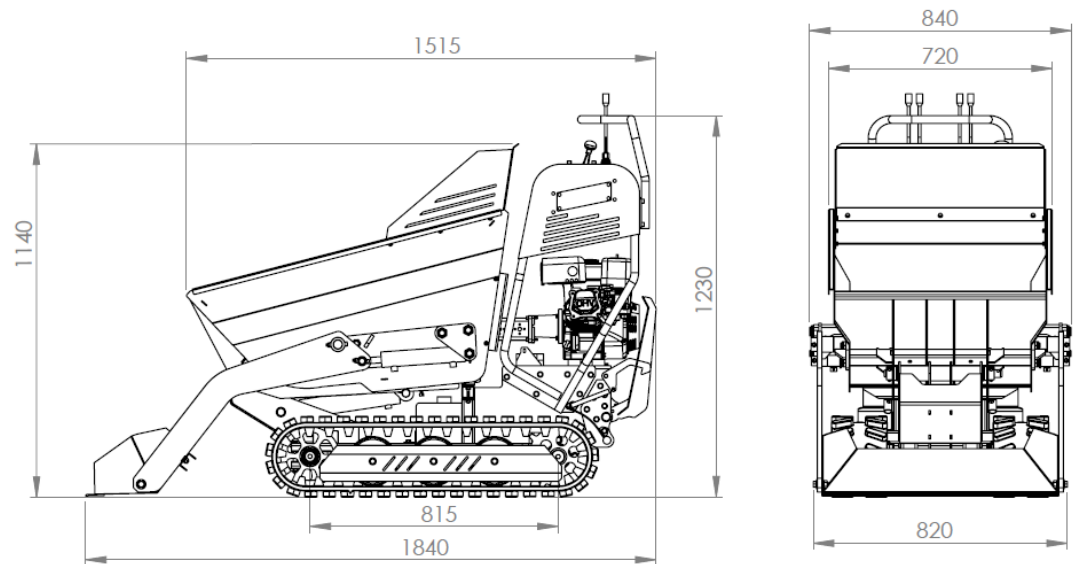
optional accessories:
snow blade
pallet fork

RD 620



Track-Dumper RD 620

Technical Data



engine	
Honda	GX 200
Type	1 cyl. / 4-stroke
Displacement	196 cm ³
Engine output	4,8 kW (6,5 HP)
Revolution speed	3600/rpm
Starter	reversing + electric starter
Air filter	oil-bath
Fuel filter	gauze



Drive	hydrostatic
Guidance	hydraulic motor
Characteristic	hydraulic tipping device hydraulic self loader electric start
Optional accessories	snow blade, pallet fork



operating data	
weight	385 kg
max. payload	620 kg
max. weight (loaded)	1005 kg
tipping device	hydraulic
climbing ability	max. 26° (50%)
working speed	0 - 4 km/h
oil pressure	180 bar
flow rate oil pump	12,6 ltr./min.
dumper box volume	280 ltr.



Baumaschinen GmbH

Niederhöchstädter Str. 71-73 D-61476 Kronberg
 Tel.: 0049-(0)6173-68558 Fax: 0049-(0)6173-68548
 E-Mail: info@powerpac.de Internet: www.powerpac.de