



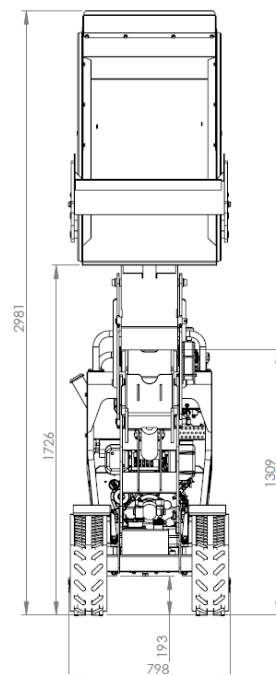
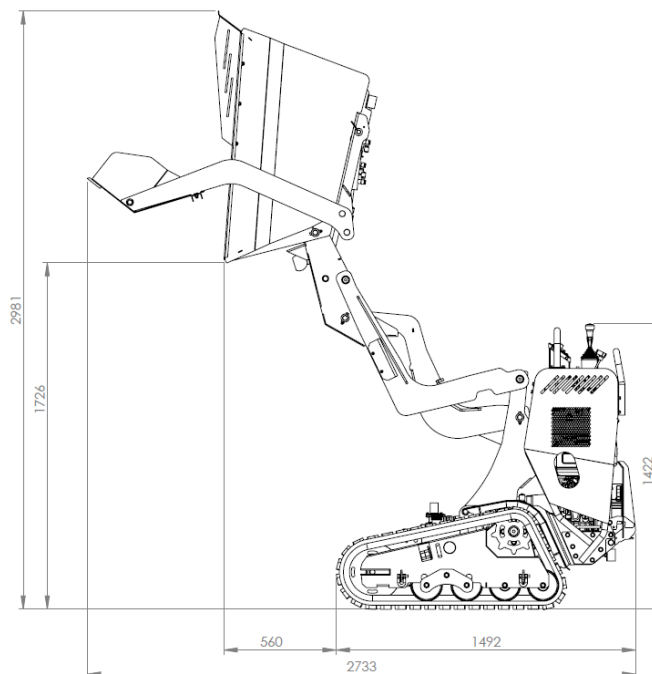
Track-Dumper high tipper

RD900H



Track-Dumper RD900H

Technical Data



motor	
Honda	GX 390
Type	1 cyl. / 4-stroke
Displacement	389 cm ³
Engine output	8,2 kW (11,0 HP)
Revolution speed	3600/rpm
Starter	reversing + electric starter
Air filter	dry cell
Fuel filter	gauze



Drive	hydrostatic
Guidance	hydraulic motor
Characteristic	hydraulic tipping device hydraulic self loader hydraulic high tipping (173 cm) electric start transport rings



operating data	
weight	805 kg
max. payload	900 kg
max. weight (loaded)	1705 kg
tipping device	hydraulic
climbing ability	max. 26° (50%)
working speed	0 – 4,50 km/h
oil pressure	180 bar
flow rate oil pump	24+12+12 ltr./min.
dumper volume	350 ltr.



Baumaschinen GmbH

Niederhöchstädter Str. 71-73 D-61476 Kronberg
 Tel.: 0049-(0)6173-68558 Fax: 0049-(0)6173-68548
 E-Mail: info@powerpac.de Internet: www.powerpac.de