



Vibratory plates

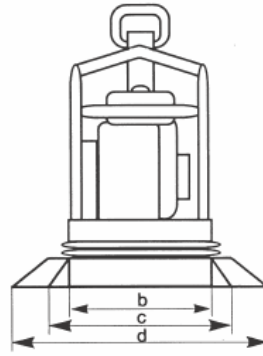
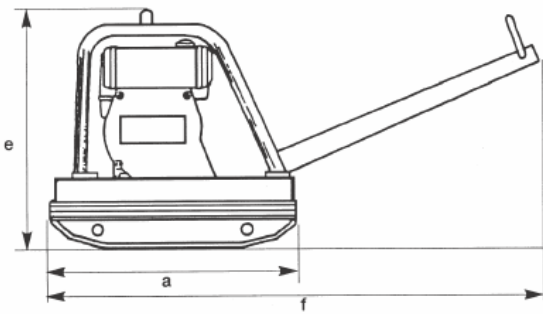
reversible

PPR 3000 B

PPR 3000 D



Technical data



optional accessory:
wheel set + rubber plate

Type	a	b	c	d	e	f
PPR 3000 B	700	500		650	650	1340
PPR 3000 D	700	500		650	750	1340

Type	PPR 3000 B	PPR 3000 D
Engine	Honda	Hatz
Constructor	GX 160	1 B 30
Model	1-cyl. / 4 - stroke petrol	1-cyl. / 4 - stroke diesel
Type	163 cm ³	347 cm ³
Displacement	4 kW (5,5 HP)	5 kW (6,8 HP)
Engine output	3600	3600
RPM	reversing starter	reversing starter
Starter	dry cell	dry cell
Air filter	gauze	filter element
Fuel filter		

Exciter drive	centrifugal clutch and v belt
----------------------	-------------------------------

Operational characteristics	PPR 3000 B	PPR 3000 D
Weight	146 kg	176 kg
Centrifugal force	30 kN	30 kN
Footprint	2290 cm ²	2290 cm ²
Centrifugal force / Footprint	13,1 N/cm ²	13,1 N/cm ²
Exciter frequency	90 Hz	90 Hz
Compaction depth*	40-55 cm	40-55 cm
Working speed*	22 m/min	22 m/min

*depending on soil

Authorised dealer:



Baumaschinen GmbH
 Niederhöchstädter Str. 71-73 D-61476 Kronberg
 Tel.: +49-(0)6173-68558 Fax: +49-(0)6173-68548
 E-Mail: info@powerpac.de Internet: www.powerpac.de