



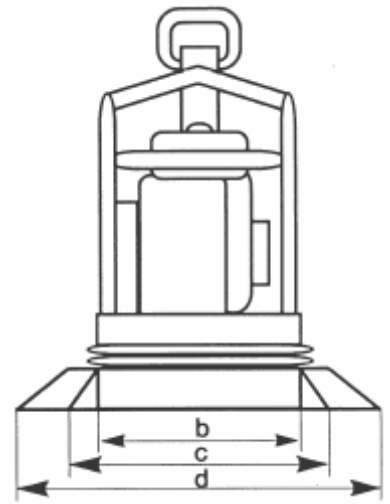
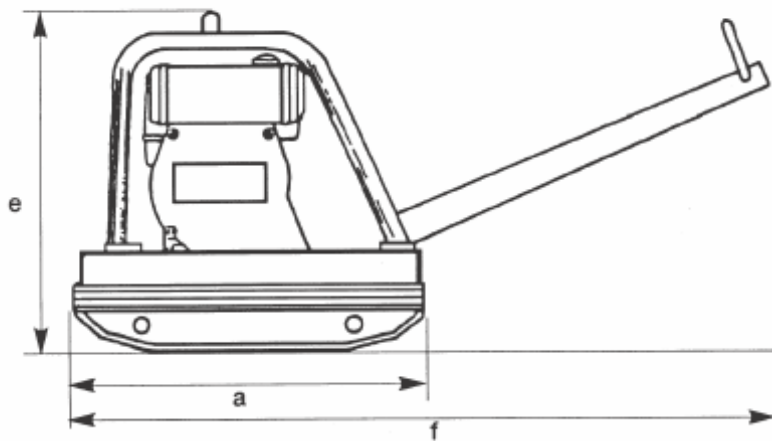
Vibratory plates

reversible

PPR 3800
PPR 6100



Technical data



Type	a	b	c	d	e	f
PPR 3800	750	500			780	1560
PPR 6100	910	700			880	1750

Type	PPR 3800	PPR 6100
Engine	Hatz	Hatz
Constructor	1 B 30	1 D 41
Model	1-cyl. / 4 - stroke diesel	1-cyl. / 4 - stroke diesel
Type	347 cm ³	413 cm ³
Displacement	5,1 kW (7 HP)	5,5 kW (7,5 HP)
Engine output	3200	3200
RPM	reversing starter	reversing starter
Starter	dry cell	dry cell
Air filter	filter element	filter element
Fuel filter		

Exciter drive	centrifugal clutch and v belt
----------------------	-------------------------------

Operational characteristics		
Weight	270 kg	400 kg
Centrifugal force	38 kN	61 kN
Footprint	1925 cm ²	2940 cm ²
Centrifugal force / Footprint	19,7 N/cm ²	20,7 N/cm ²
Exciter frequency	70 Hz	75 Hz
Compaction depth*	60-75 cm	70-85 cm
Working speed*	25 m/min	25 m/min

* depending on soil

Authorised dealer:



Baumaschinen GmbH

Niederh ochst adter Str. 71-73 D-61476 Kronberg
 Tel.: +49-(0)6173-68558 Fax: +49-(0)6173-68548
 E-Mail: info@powerpac.de Internet: www.powerpac.de