



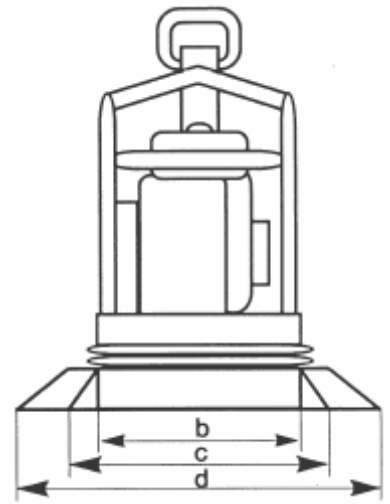
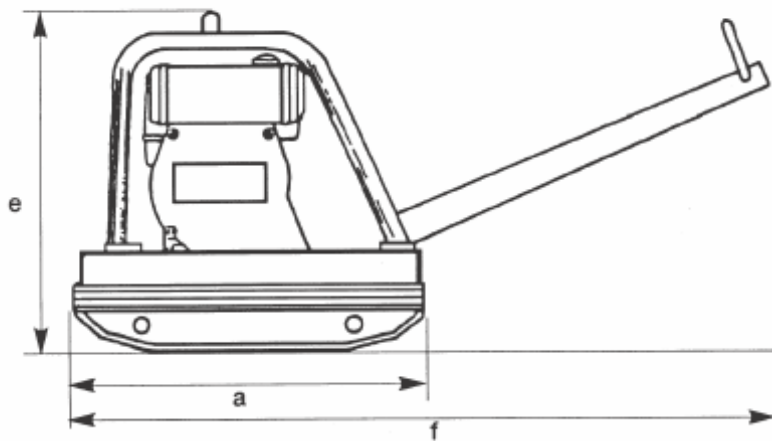
Vibratory plates

reversible
continuously variable servo switching
electric starter serially

PPR 8800



Technical data



Type	a	b	c	d	e	f
PPR 8800	1165	650		970	1120	2045

Type	PPR 8800	
Engine Constructor Model Type Displacement Engine output RPM Starter Air filter Fuel filter	Hatz 1 D 81 Z 1-Zyl. / 4 - stroke diesel 667 cm ³ 11,1 kW (15,0 HP) 3000 E - starter dry cell cell	

Exciter drive	centrifugal clutch and v belt
----------------------	-------------------------------

Operational characteristics Weight Centrifugal force Footprint Centrifugal force / Footprint Exciter frequency Compaction depth* Working speed*	700 kg 88 kN 3038 cm ² 28,97 N/cm ² 50 Hz 95-100 cm 20-25 m/min
---	---

* depending on soil

Authorised dealer:



Baumaschinen GmbH

Niederhöchstädter Str. 71-73 D-61476 Kronberg
 Tel.: +49-(0)6173-68558 Fax: +49-(0)6173-68548
 E-Mail: info@powerpac.de Internet: www.powerpac.de