



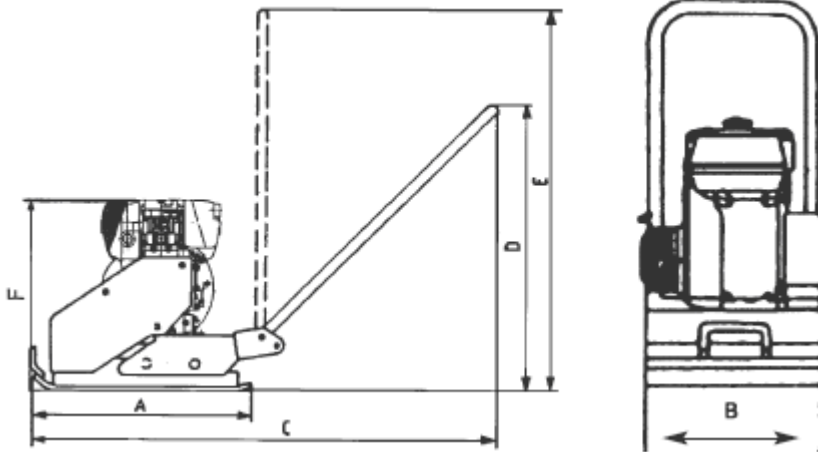
# Vibratory plates

single direction

**VP 1100**  
**VP 1500**



# Technical data



optional accessory:  
wheel set + rubber plate

Type	a	b	c	d	e	f
<b>VP 1100</b>	550	360	1260	800	1090	480
<b>VP 1500</b>	660	450	1260	800	1090	480

Type	VP 1100	VP 1500
<b>Engine</b>	<b>Honda</b>	<b>Honda</b>
Constructor	GX 120	GX 120
Model	1-cyl. / 4 - stroke petrol	1-cyl. / 4 - stroke petrol
Type	120 cm <sup>3</sup>	120 cm <sup>3</sup>
Displacement	2,8 kW (3,8 HP)	2,8 kW (3,8 HP)
Engine output	3600	3600
RPM	reversing starter	reversing starter
Starter	dry cell	dry cell
Air filter	gauze	gauze
Fuel filter		

<b>Exciter drive</b>	centrifugal clutch and v belt
----------------------	-------------------------------

<b>Exciter</b>	1 - shaft exciter
----------------	-------------------

Operational characteristics	VP 1100	VP 1500
Weight	69 kg	79 kg
Centrifugal force	11 kN	15 kN
Footprint	1480 cm <sup>2</sup>	2470 cm <sup>2</sup>
Exciter frequency	90 Hz	90 Hz
Compaction depth*	28 cm	32 cm
Working speed*	0 - 25 m/min	0 - 25 m/min

\* depending on soil

Authorised dealer:



**PowerPac**

**Baumaschinen GmbH**  
 Niederhöchstädter Str. 71-73 D-61476 Kronberg  
 Tel.: +49-(0)6173-68558 Fax: +49-(0)6173-68548  
 E-Mail: info@powerpac.de Internet: www.powerpac.de