



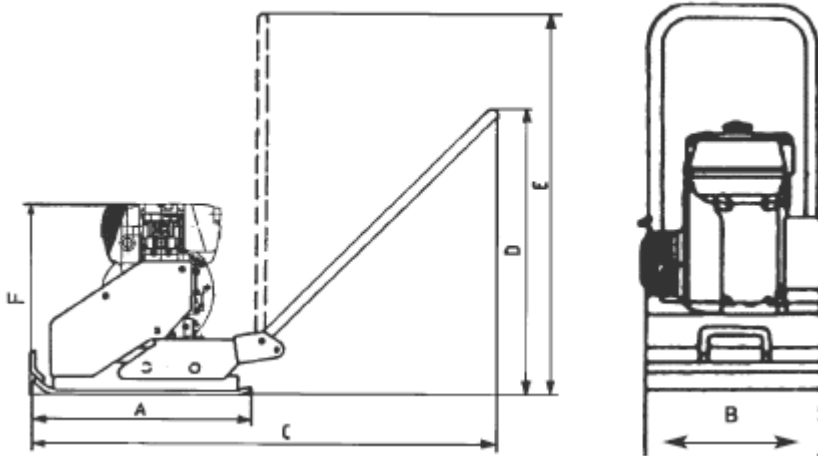
# Vibratory plates

single direction

**VP 900 B**



# Technical data



optional accessory:  
wheel set / rubber plate /  
watertank 10ltr.

Type	a	b	c	d	e	f
<b>VP 900 B</b>	530	360				

Type	<b>VP 900 B</b>	
<b>Engine</b>		
Constructor	<b>Honda</b>	
Model	GX 120	
Type	1-cyl. / 4 - stroke petrol	
Displacement	2,9 kW (4,0 HP)	
Engine output	120 cm <sup>3</sup>	
RPM	3600 U/min	
Starter	reversing starter	
Air filter	dry cell	
Fuel filter	gauze	

<b>Exciter drive</b>	centrifugal clutch and v belt
----------------------	-------------------------------

<b>Operational characteristics</b>	
Weight	62 kg
Centrifugal force	9 kN
Footprint	1908 cm <sup>2</sup>
Centrifugal force / Footprint	3,4 N/cm <sup>2</sup>
Exciter frequency	90 Hz
Compaction depth*	15 - 20 cm
Working speed*	0 - 25 m/min

\* depending on soil

Authorised dealer:



**Baumaschinen GmbH**  
 Niederhöchstädter Str. 71-73 D-61476 Kronberg  
 Tel.: +49(0)6173-68558 Fax: +49(0)6173-68548  
 E-Mail: info@powerpac.de Internet: www.powerpac.de