



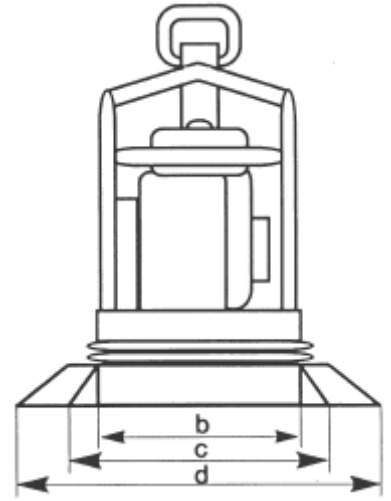
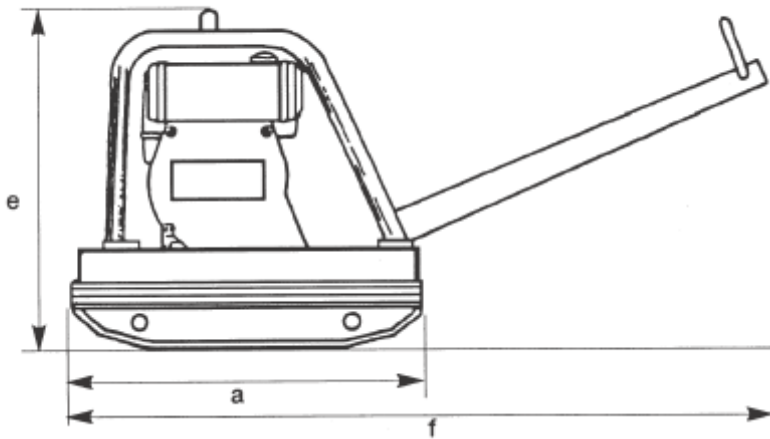
Vibratory plates

reversible

PPR 3800



Technical data



Type	a	b	c	d	e	f
PPR 3800	750	500			780	1560

Type	PPR 3800
Engine	Hatz
Constructor	1 B 30
Model	1-cyl. / 4 - stroke diesel
Type	347 cm ³
Displacement	5,1 kW (7 HP)
Engine output	3200
RPM	reversing starter
Starter	dry cell
Air filter	filter element
Fuel filter	

Exciter drive	centrifugal clutch and v belt
----------------------	-------------------------------

Operational characteristics	
Weight	270 kg
Centrifugal force	38 kN
Footprint	1925 cm ²
Centrifugal force / Footprint	19,7 N/cm ²
Exciter frequency	70 Hz
Compaction depth*	60-75 cm
Working speed*	25 m/min

* depending on soil

Authorised dealer:



Baumaschinen GmbH

Niederhöchstädter Str. 71-73 D-61476 Kronberg
 Tel.: +49-(0)6173-68558 Fax: +49-(0)6173-68548
 E-Mail: info@powerpac.de Internet: www.powerpac.de