



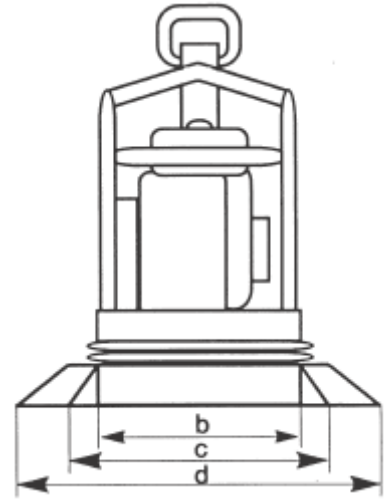
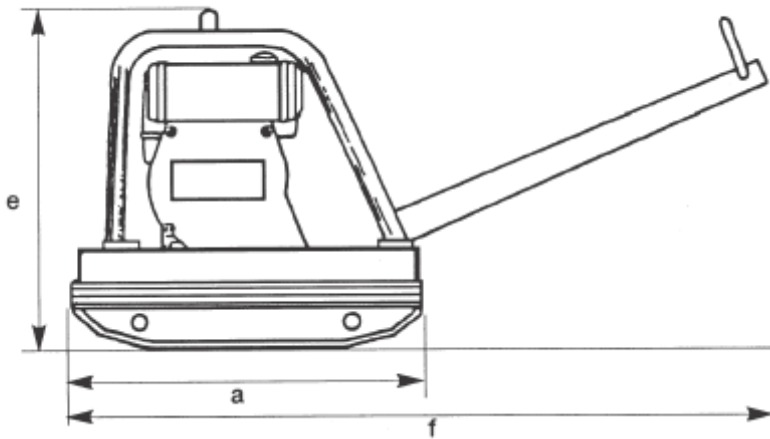
Vibratory plate

reversible

PPR 6100



Technical data



Type	a	b	c	d	e	f
PPR 6100	1000	600			900	1900

Type	PPR 6100
Engine	Hatz
Constructor	1 B 40
Model	1-cyl. / 4 - stroke diesel
Type	462 cm ³
Displacement	6,8 kW (9,1 HP)
Engine output	3000
RPM	reversing starter
Starter	dry cell
Air filter	filter element
Fuel filter	

Exciter drive	centrifugal clutch and v belt
----------------------	-------------------------------

Operational characteristics	
Weight	400 kg
Centrifugal force	61 kN
Footprint	2940 cm ²
Centrifugal force / Footprint	20,7 N/cm ²
Exciter frequency	70 Hz
Compaction depth*	70-85 cm
Working speed*	25 m/min

* depending on soil

Authorised dealer:



Baumaschinen GmbH

Niederhöchstädter Str. 71-73 D-61476 Kronberg
 Tel.: +49-(0)6173-68558 Fax: +49-(0)6173-68548
 E-Mail: info@powerpac.de Internet: www.powerpac.de