



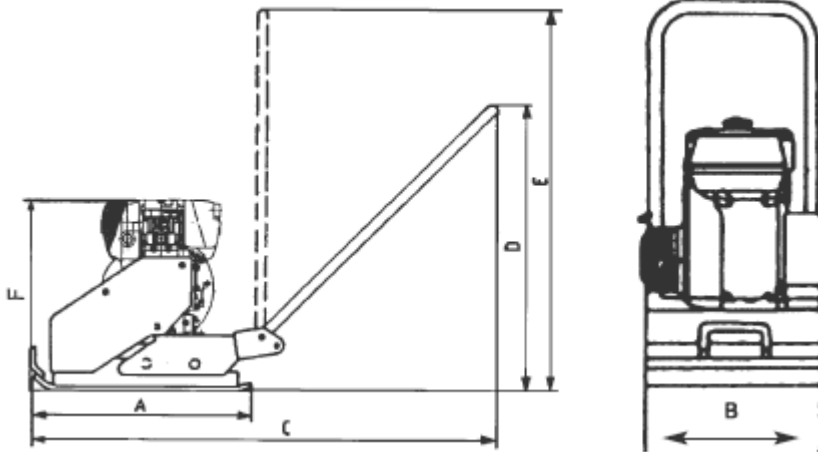
Vibratory plates

single direction

VP 1450 B
VP 1450 D



Technical data



optional accessory:
wheel set + rubber plate

Type	a	b	c	d	e	f
VP 1450 B	580	500	1060	660	1030	495
VP 1450 D	580	500	1060	660	1030	495

Type	VP 1450 B	VP 1450 D
Engine	Honda	Hatz
Constructor	GX 160	1 B 20
Model	1-cyl. / 4 - stroke petrol	1-cyl. / 4 - stroke diesel
Type	4,0 kW (5,5 HP)	3,7 kW (5 HP)
Displacement	160 cm ³	232 cm ³
Engine output	3600 U/min	3600
RPM	reversing starter	reversing starter
Starter	dry cell	dry cell
Air filter	filter element	filter element
Fuel filter		

Exciter drive	centrifugal clutch and v belt
----------------------	-------------------------------

Operational characteristics	VP 1450 B	VP 1450 D
Weight	90 kg	95 kg
Centrifugal force	14,5 kN	14,5 kN
Footprint	2490 cm ²	2490 cm ²
Centrifugal force / Footprint	5,8 N/cm ²	5,8 N/cm ²
Exciter frequency	90 Hz	90 Hz
Compaction depth*	25-40 cm	25-40 cm
Working speed*	25 m/min	25 m/min

* depending on soil

Authorised dealer:



PowerPac

Baumaschinen GmbH
 Niederhöchstädter Str. 71-73 D-61476 Kronberg
 Tel.: +49(0)6173-68558 Fax: +49(0)6173-68548
 E-Mail: info@powerpac.de Internet: www.powerpac.de